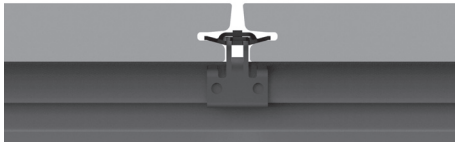
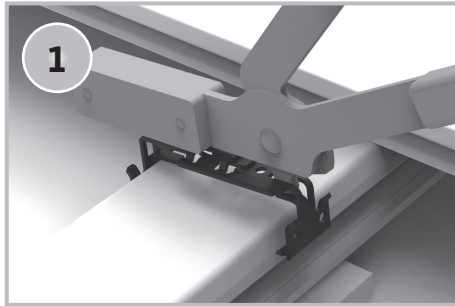
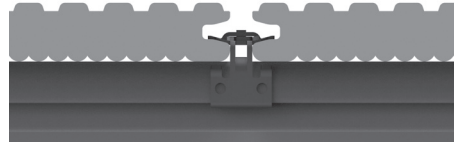


LOCKING CLAMP

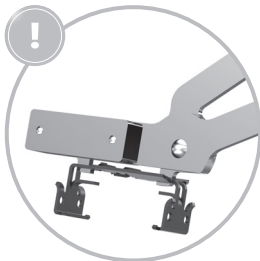
Gap size
5 mm ± 0,5



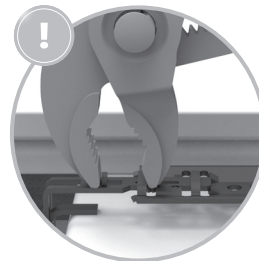
Gap size
8 mm ± 0,5



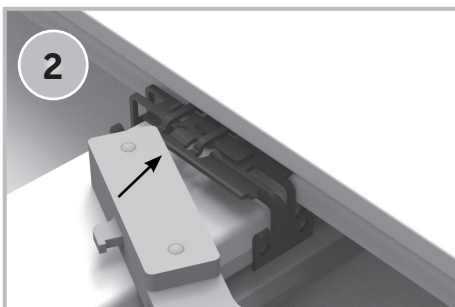
1
Position the locking bracket on the construction beam using the Zammer (a professional tool comprising both pliers and a hammer) and lock it into place.



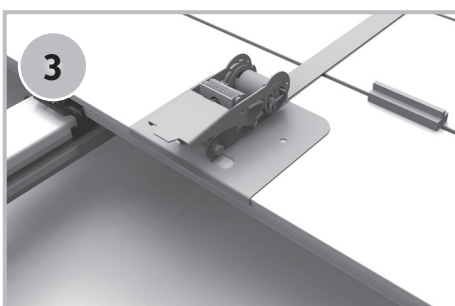
Place the bracket on the zammer before placing it on top of the construction beam.



As an alternative, you can also lock it in place using water pump pliers. Place the pliers on the stirrup and hook.

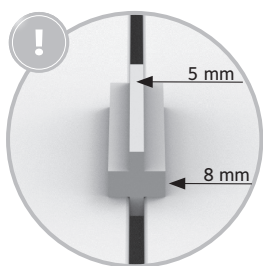


2
Insert the locked in bracket into the groove in the board.

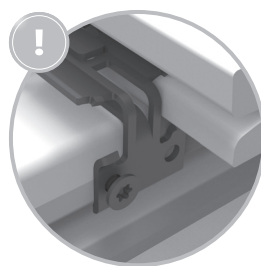


3
Next board and align with the rubber mallet.

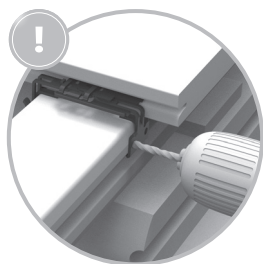
For an even joint use a parquet tensioner and the megawood[®] distance keeper.



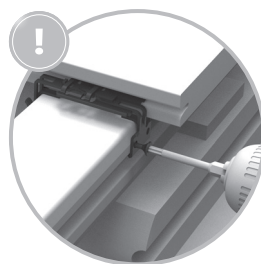
For SIGNUM and DYNUM boards, use the narrow side of the megawood distance keeper.



Fix the brackets to the construction beam after each metre.



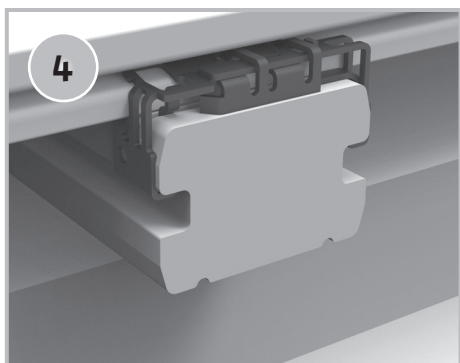
Predrill the construction beam.



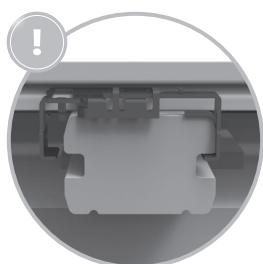
Fix the brackets on the construction beam using the enclosed screws.

Do not tighten the screws.

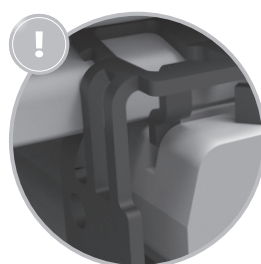
EDGE CLAMP



Repeat steps 1 - 4 bis zur letzten Diele. In order to fix the edge of the locking bracket in place, saw a groove (approx. 3 mm wide, 5 mm deep) in the construction beam 10 mm from the edge and position the edge of the locking bracket in place.



Push the edge of the locking bracket onto the face of the construction beam.



Insert the retaining collar of the edge of the locking bracket sideways into the groove and lock the bracket into place.