



Made in Germany
megawood[®]

Installation aid

Clip for open gaps

For a fast and easier installation, we recommend the use of the locking clamps and grooved strip on a 40 x 60 mm megawood[®] substructure. This means that a permanent pre-drilling and screwing of the clips on is no longer necessary. We do not provide a warranty for terrace constructions with construction beams that are not made of megawood materials.



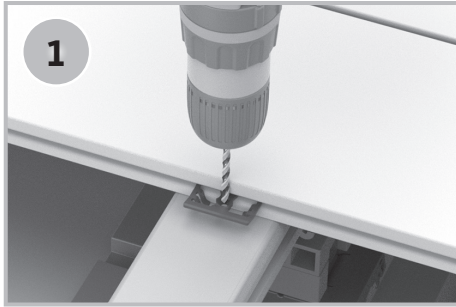
Gap size
8 mm ± 0,5



Gap size
5 mm ± 0,5

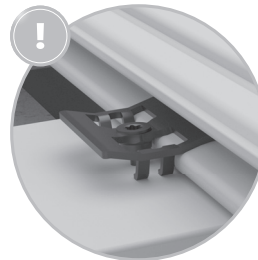
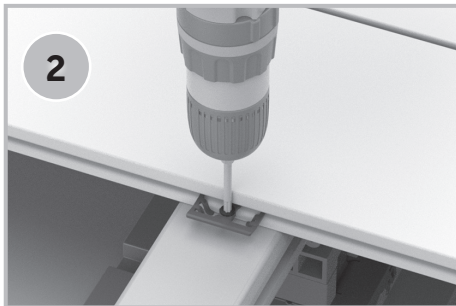


1



Position the clip with the stop and predrill with a 3 mm bit.

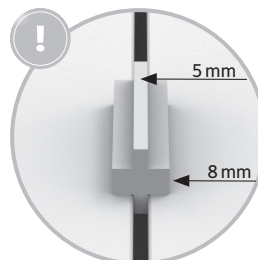
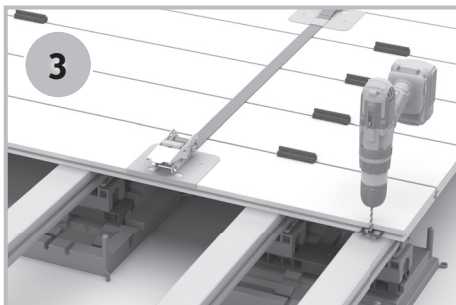
2



do not tighten the screw.

Fix the clip in place with the screw.

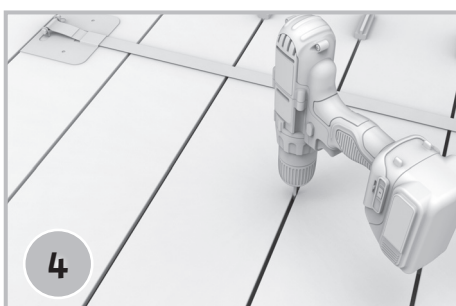
3



use the narrow side (5 mm) of the megawood spacer for SIGNUM and DYNUM boards.

Position the next board. Repeat steps 1 & 2 for the next 5 boards. Please ensure that the gap pattern is uniform by using a parquet tensioner and megawood[®] spacers.

4



Please use the special bit enclosed.

After 5-6 boards, tighten the clips using the screw and apply an average torque.