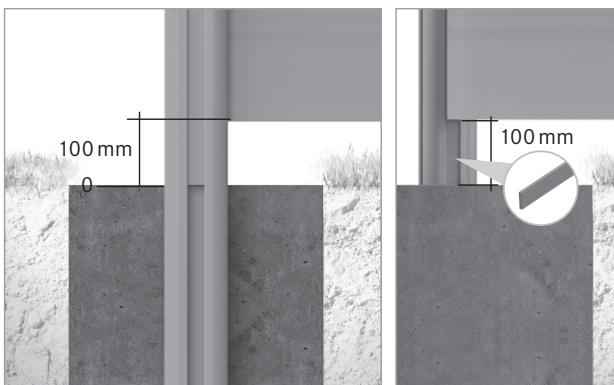
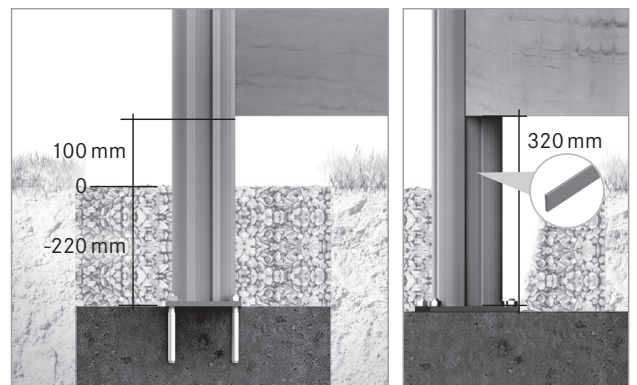


Foundation

Posts in concrete

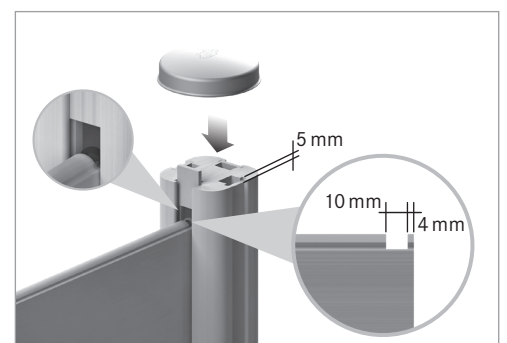
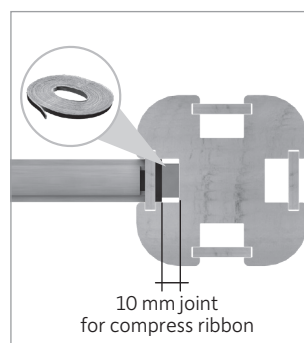
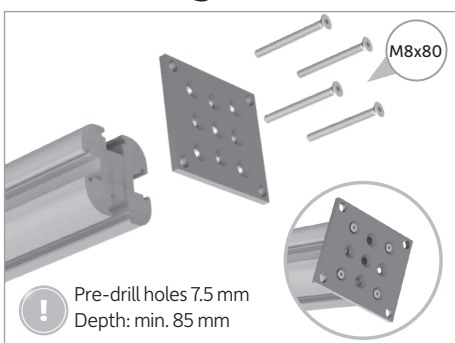


Posts on base plate



! The foundation width and depth must be designed according to static requirements and must be founded frost-free. Recommendation: 400 × 400 mm and a depth of 800 mm. Allow concrete to cure completely.

Mounting



Assembly instruction

Privacy screen VALERIA
Panels open

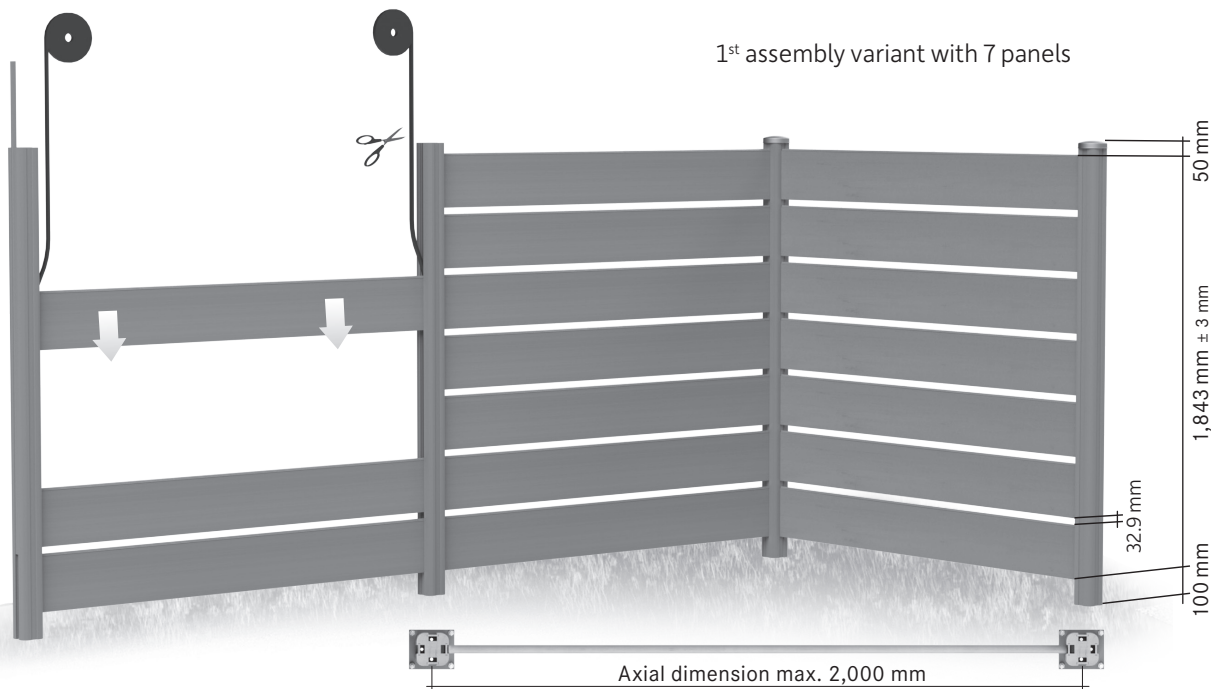
www.megawood.com



Made in Germany

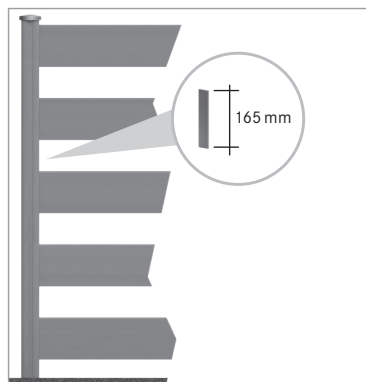
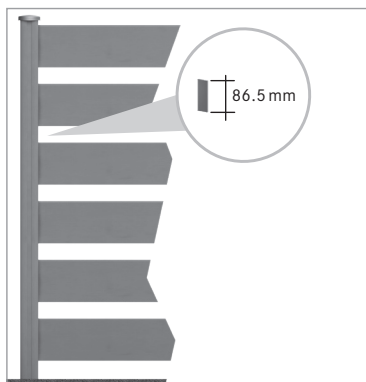
megawood®

1st assembly variant with 7 panels

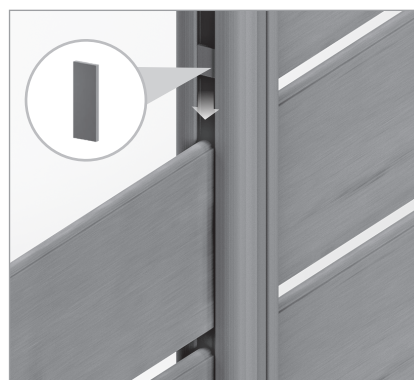


Examples of assembly variants

2nd assembly variant with 6 panels 3rd assembly variant with 5 panels

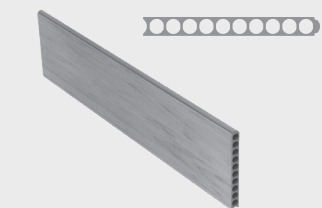


Mounting



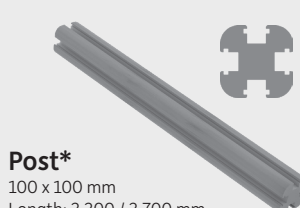
ARTICLE OVERVIEW

*Please note dimensional tolerances related to production.



Valeria panel*

25 x 235 mm
Length: 1,930 mm
MWP235025VG193 varia grey
MWP235025VS193 varia chocolate black
MWP235025IN193 ingwer

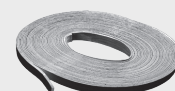


Post*

100 x 100 mm
Length: 2,200 / 2,700 mm
MWP100100VG220 varia grey
MWP100100VS220 varia chocolate black
MWP100100IN220 ingwer
MWP100100VG270 varia grey
MWP100100VS270 varia chocolate black
MWP100100IN270 ingwer

Insert bar*

6 x 34 mm
Length: 2,200 mm
MWEL006034-VG220 varia grey
MWEL006034-VS220 varia chocolate black
MWEL006034-IN220 ingwer



Compress ribbon

20 mm, 13 m/on a roll
NOVO007-21



Post cap

round, Ø 105 mm
MWZUPF000001ED