

# Assembly instruction VARIO FIX II

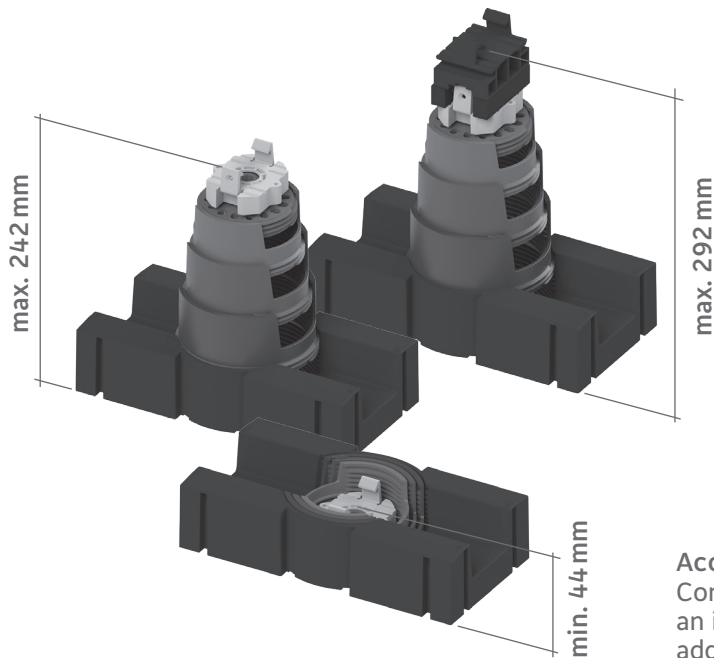
www.megawood.com

Date: 09.03.2022

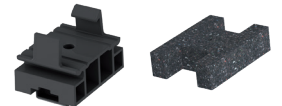


Made in Germany

**megawood**<sup>®</sup>

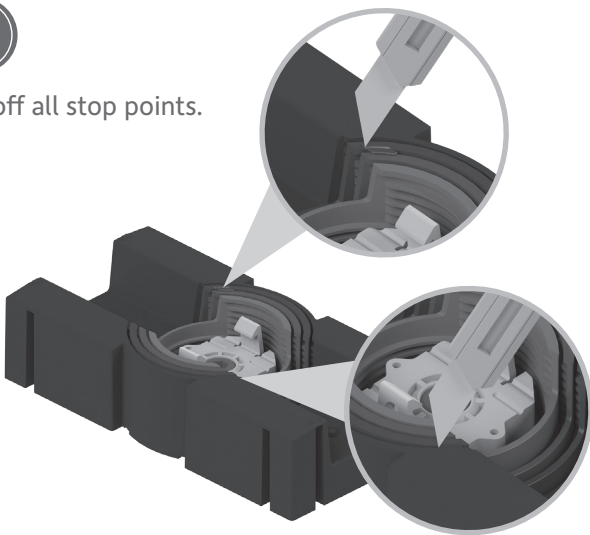


**Accessories:**  
Comfort pad and attachment for an improved tread comfort and additional mounting height



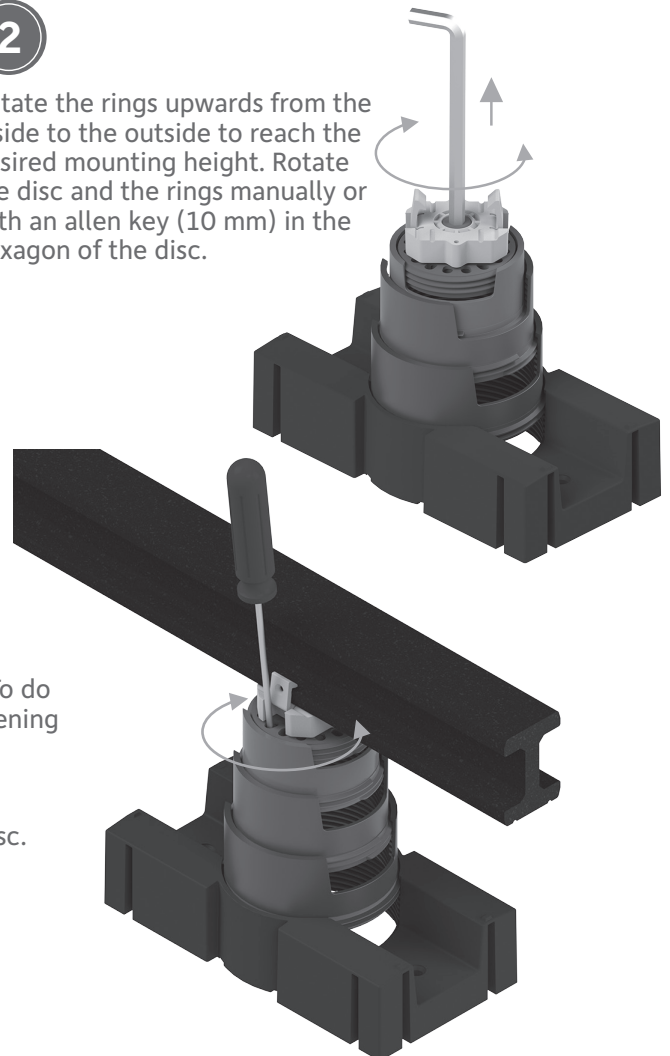
1

Cut off all stop points.



2

Rotate the rings upwards from the inside to the outside to reach the desired mounting height. Rotate the disc and the rings manually or with an allen key (10 mm) in the hexagon of the disc.



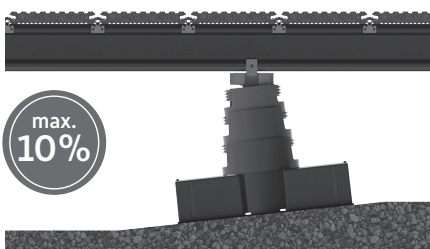
3

**Fine adjustment with engaged construction beam:**  
Rotate the disc manually or by means of a screwdriver. To do this, insert the screwdriver from the side into a disc's opening and rotate the disc by lever action.


**Tip:** Relieve the load on the construction beam to make it easier to rotate the disc.

!

When constructing on roofing membranes or on existing stone or stoneware surfaces, the VARIO FIX is to be positioned on suitable protective mats.



 for construction beam  
40 x 60 mm

 for construction beam  
80 x 60 mm

**Note:** Click the construction beam straight in from above.

**For further information see:**

- Construction Plan Terrace System with VARIO FIX
- Assembly instruction VARIO FIX I