



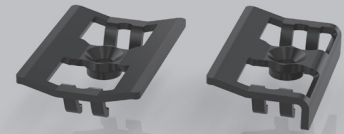
Made in Germany

**megawood**®

For a fast and easier installation, we recommend the use of the locking clamps and grooved strip on a 40x60 mm or 80x60 mm megawood® substructure. This means that a permanent pre-drilling and screwing of the clips on is no longer necessary. We do not provide a warranty for terrace constructions with construction beams that are not made of megawood materials.

# Assembly instructions

Clip for open gaps  
stainless steel & standard steel



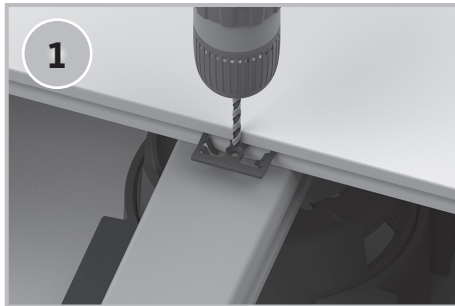
Gap size  
8 mm ± 0,5



Gap size  
5 mm ± 0,5



**!**  
In salty environments, use the **stainless steel clip**.

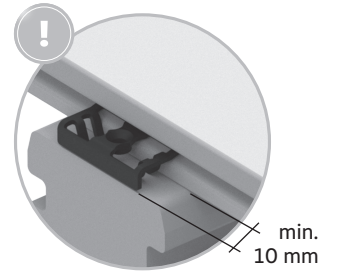


1

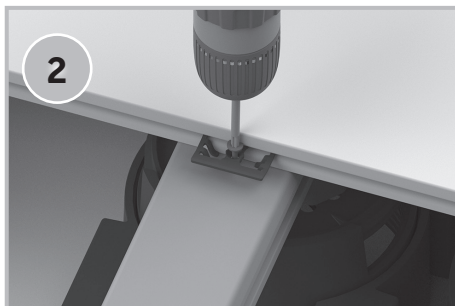
Position the clip with the stop and predrill with a 3 mm bit.



**!**  
do not tighten the screw.

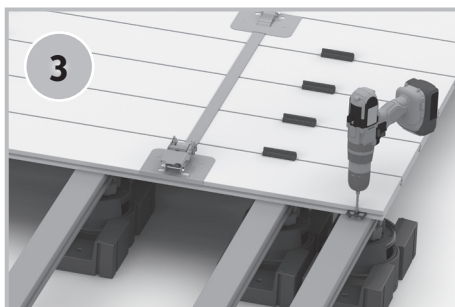


**!**  
set the edge clip flush with the construction beam.

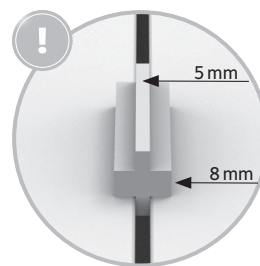


2

Fix the clip in place with the screw.

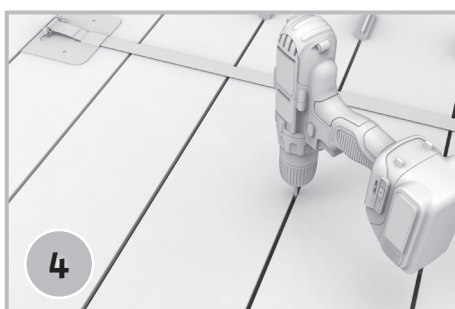


3



**!**  
use the narrow side (5 mm) of the megawood spacer for CLASSIC Varia, SIGNUM, DYNUM and DELTA boards.

Position the next board. Repeat steps 1 & 2 for the next 5 boards. Please ensure that the gap pattern is uniform by using a parquet tensiometer and megawood® spacers.



4



**!**  
Please use the special bit enclosed.

After 5-6 boards, tighten the clips using the screw and apply an average torque.